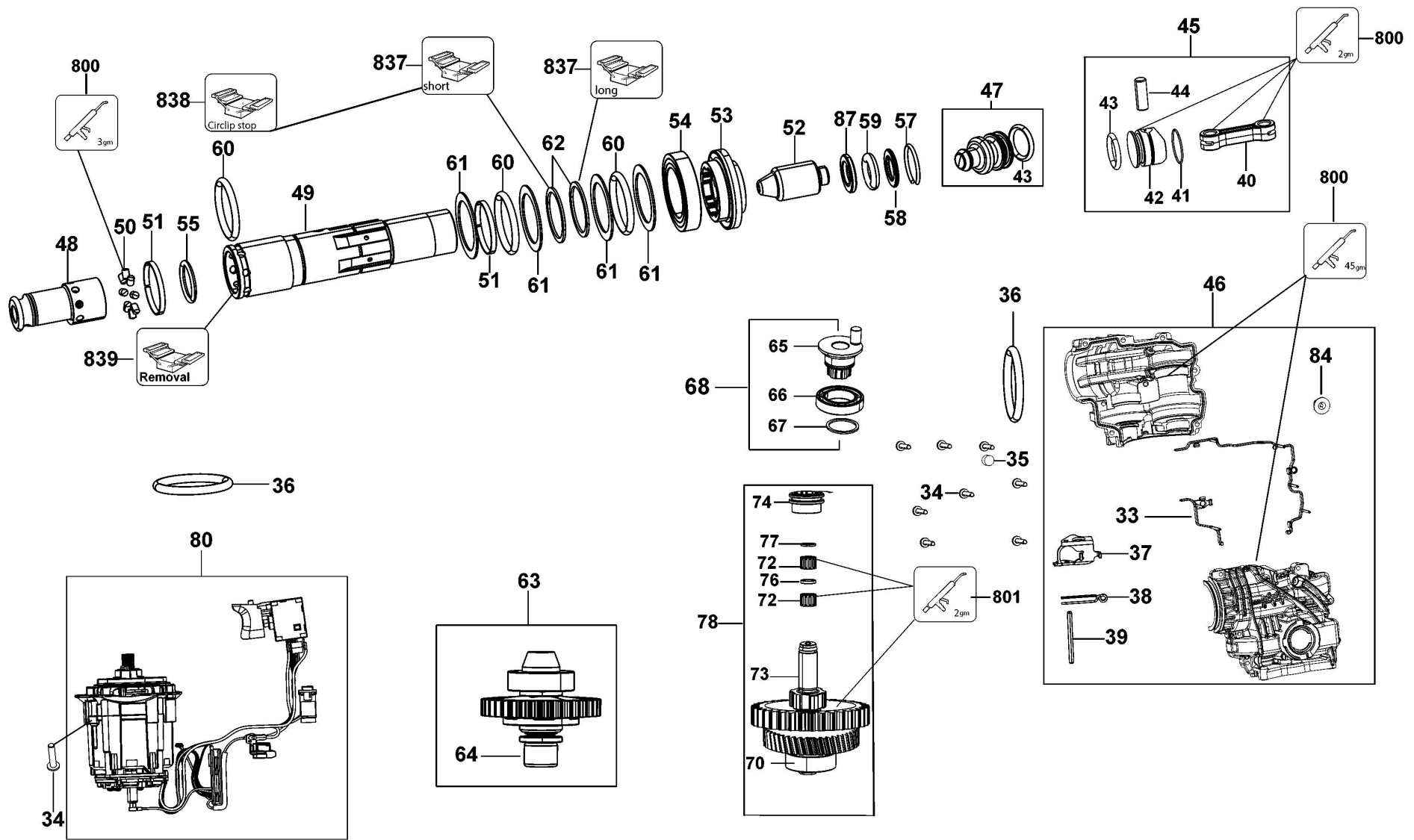
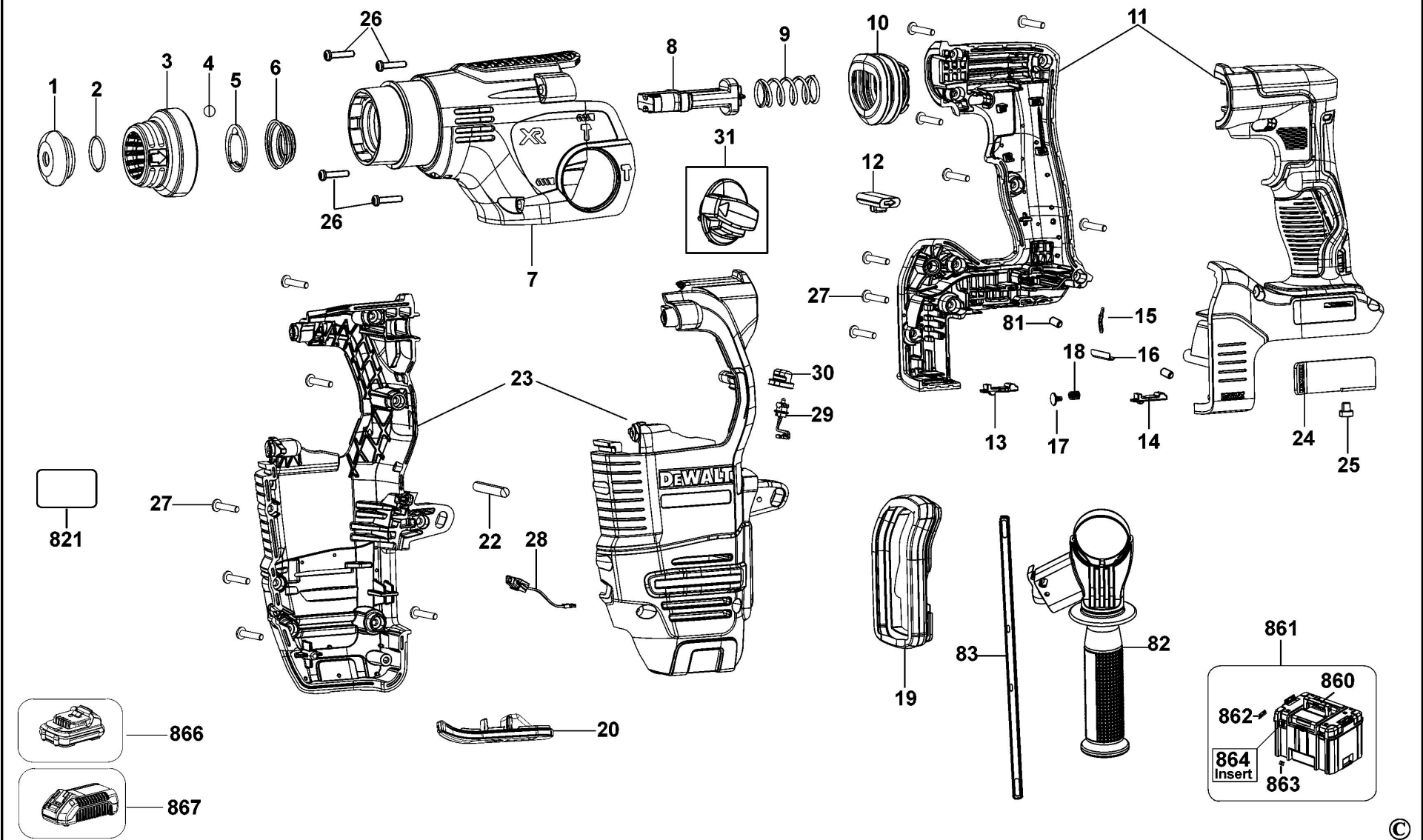


DCH283 Motor HAMMER DRILL 1



DCH283 Main unit HAMMER DRILL 1



Parts List DCH283 HAMMER DRILL 1

Item	Part Number	Qty	Part Description	General Description	Other Info	Repair Inst	Markets
1	323489-00	1	CAP			No	XJ
2	579212-00	1	RING			No	XJ
3	N910599	1	TUBE			No	XJ
4	583890-00	1	BALL			No	XJ
5	578387-00	1	WASHER			No	XJ
6	871690	1	SPRING			No	XJ
7	N564446	1	HOUSING FRONT		SDS	No	XJ
8	N152623	1	STOP			No	XJ
9	N106188	1	SPRING COMPRESSION			No	XJ
10	N106221-01	1	BELLOWS			No	XJ
11	N466949	1	HANDLE SA			No	XJ
12	N431292	1	BAR			No	XJ
13	N438439	1	INSERT			No	XJ
14	N438438	1	INSERT			No	XJ
15	N400082	1	SPRING			No	XJ
16	N094649	1	PLATE			No	XJ
17	N122099	1	BLOCK			No	XJ
18	N119679	1	SPRING			No	XJ
19	N427167	1	BELLOWS			No	XJ
20	N462963	1	END CAP			No	XJ
22	N159443	1	AXIS			No	XJ
23	N468255	1	HOUSING MOTOR			No	XJ
24	N461541	1	HOOK			No	XJ
25	N400130	1	SCREW			No	XJ
26	330019-20	4	SCREW			No	XJ
27	330019-80	15	SCREW			No	XJ
28	N445349	1	LED LIGHT			No	XJ
29	N452980	1	INDICATOR			No	XJ
30	656183-00	1	LENS			No	XJ
31	N267567	1	SELECTOR SA			No	XJ
33	N433272	1	SEAL SA			No	XJ
34	324006-15	12	SCREW			No	XJ

Parts List DCH283 HAMMER DRILL 1

Item	Part Number	Qty	Part Description	General Description	Other Info	Repair Inst	Markets
35	N038257	1	FELT			No	XJ
36	N423558	2	O RING			No	XJ
37	N431392	1	PLATE			No	XJ
38	N663642	1	SPRING			No	XJ
39	N433763	1	PIN			No	XJ
40	N390874	1	CON ROD		inc	No	XJ
41	000000-11	1	NO LONGER REQUIRED ON THIS UNI			No	XJ
42	N517447	1	PISTON			No	XJ
43	N394408	2	O RING			No	XJ
44	N123257	1	PIN			No	XJ
45	N505552	1	PISTON KIT		inc	No	XJ
46	N616792	1	GEARCASE SA			No	XJ
47	N505553	1	RAM SA		inc 43	No	XJ
48	N783458	1	SPINDLE			No	XJ
49	N583351	1	SPINDLE			No	XJ
49	N583351	1	SPINDLE			No	XJ
50	N468472	8	PIN			No	XJ
51	N467014	2	RETAINER			No	XJ
52	N459378	1	BEAT PIECE			No	XJ
53	N406771	1	BEVEL GEAR			No	XJ
54	479478-00	1	BEARING,BALL			No	XJ
55	N412167	1	O RING			No	XJ
57	N413186	1	CIRCLIP			No	XJ
58	N502900	1	WASHER			No	XJ
58	N502900	1	WASHER			No	XJ
59	N388939	1	WASHER			No	XJ
60	N421627	3	O RING			No	XJ
61	N395027	4	WASHER			No	XJ
62	N422601	2	CIRCLIP			No	XJ
63	N605730	1	CLUTCH SA			No	XJ
64	330004-06	1	BEARING NEEDLE			No	XJ
65	N452829	1	CRANKSHAFT			No	XJ

Parts List DCH283 HAMMER DRILL 1

Item	Part Number	Qty	Part Description	General Description	Other Info	Repair Inst	Markets
66	N427179	1	BEARING			No	XJ
67	N453028	1	CLIP			No	XJ
68	N505555	1	CRANKSHAFT		inc 65,66,67	No	XJ
70	N110358	1	BEARING			No	XJ
72	N427177	2	BEARING CAGE			No	XJ
73	N513678	1	GEAR SA			No	XJ
74	N264669	1	COLLAR			No	XJ
76	N433668	1	BUSH			No	XJ
77	323763-10	1	LOCKING RING			No	XJ
78	N593071	1	TRANSMISSION SA			No	XJ
80	N505557	1	MOTOR SA			No	XJ
81	N186764	2	RUBBER PAD			No	XJ
82	N413662	1	HANDLE SIDE SA			No	XJ
83	798846-02	1	DEPTH STOP			No	XJ
84	N374339	1	INSERT			No	XJ
87	N388939	1	WASHER			No	XJ
800	578970-04	1	GREASE	80g		No	XJ
821	N491320	1	RATING LABEL			No	XJ
837	1003968-99	1	S.T.CIRCLIP INSERTER		Long	No	XJ
837	1003969-99	1	S.T.CIRCLIP INSERTER		Short	No	XJ
838	1003967-99	1	S.T.CIRCLIP INSERTER		Circlip Limit	No	XJ
839	1003970-99	1	S.T.DIS-ASSEMBLY JIG		Stop Piston Removal	No	XJ
860	H1400196008	1	HANDLE			No	XJ
861	N445186	1	KITBOX			No	XJ
862	N409477	1	LATCH			No	XJ
863	P910190	2	LATCH			No	XJ
864	N493397	1	INSERT		DCH283P2	No	XJ
909	NA473152	1	REPAIR KIT		DC < 42 - 2023	No	XJ